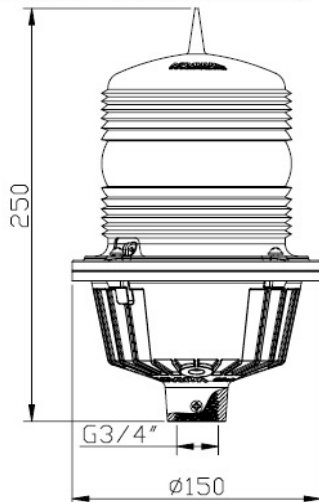
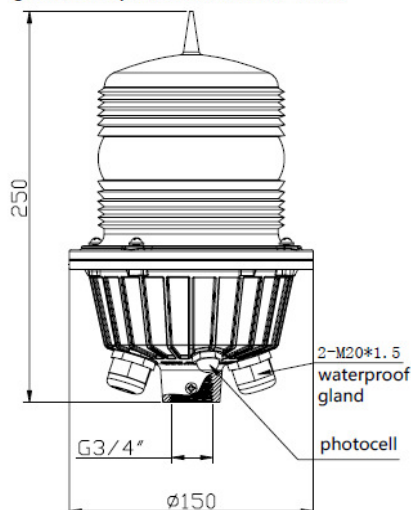




Mounting dimension (unit : mm)



Mounting dimension with waterproof gland and photocell (unit : mm)

**Applications**

Obstruction light for a wide variety of cranes used in Harbors, Metallurgies, Towers (Telecom, GSM), Smokestacks, Buildings and any other potentially hazardous obstructions to air traffic with a steady burning red safety light.

Main functions and features

- Use Fresnel lens, high utilization of light, valid keeping light beam in the scope as required.
- Based on LED technology, low power consumption, and high efficiency.
- Lamp housing – Polycarbonate, with good anti-impact strength, thermal stability, high transmittance.
- Die casting aluminum enclosure with powder-coat paint finishes, providing corrosion resistance and durability.
- G3/4" pipe is available, ease of mount.
- EMC Compliance, No RF Radiation.
- Self-contained compartment, with stainless steel wire which is used to secure the unit against falling in operation, and ease of mount.
- Built-in photocell can switch ON/OFF the light at dawn and dusk (optional).
- Steady burning or flashing type (no need external controller).
- Extremely Reliable – Major Maintenance Cost Saving.
- External two M20X1.5 Waterproof gland(can be customized).

Specification

Standard	Compliant to the ICAO(Aerodromes Annex 14) and FAA-L810	Vertical degree	≥10°
Light source	LED	Horizontal degree	360°
LED color	Aviation red (Other color can be customized)	Flashing rate	Steady burning or flashing(flashes rate can be selected)
Operating voltage	AC110V~AC240V	LED life	≥100,000h
Power consumption	6W	On/off level	500Lux
Intensity	≥32.5cd		
Operating temperature	-40°C ~ +70°C	IP Protection	IP65
Relative humidity	10% ~ 95% (no condensing)	Weight	1.0kg
Material	Base : Die casting aluminum Housing: PC		

Installation and operation

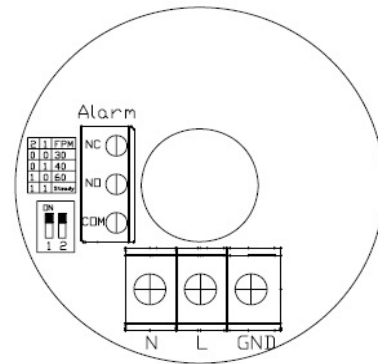
- Check whether the supply voltage does comply with the rated voltage of the lamp.
- Insert the power cable through the bottom of lamp holder, and connect them to the terminals in the base respectively.
- Follow connection diagram and set up work model. (remark: dial switch ON---1, figure---0)
- Tighten the screws between lamp housing and base.

Applications



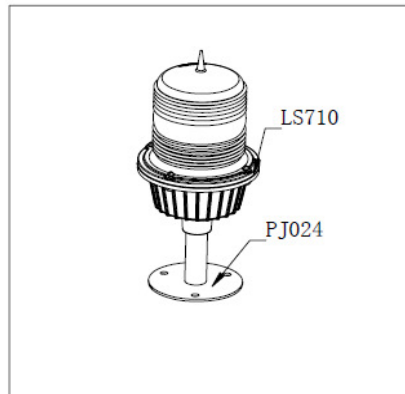
- Screw the lamp on the mounting bracket, which should be fixed on a smooth surface with enough mechanical strength. Or you can select our mounting bracket: PJ024, PJ028 and PJ030 (installing diagram), special bracket can be customized.
- Switch on the power, and then the light works.

Wiring diagram

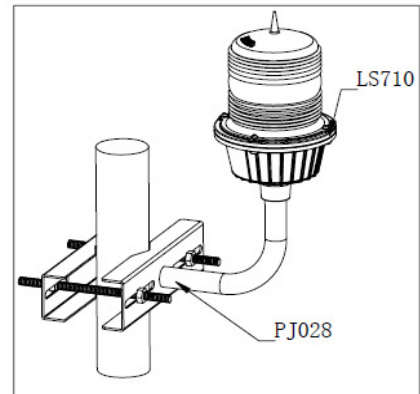


Wiring diagram for AC power

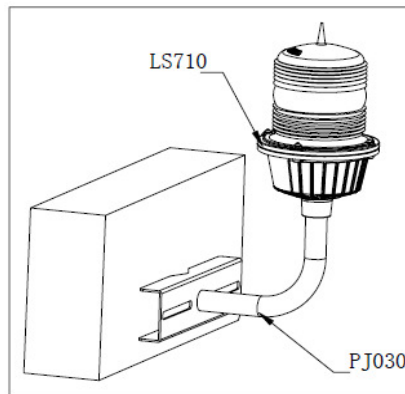
Installing diagram



LS710+PJ024



LS710+PJ028



LS710+PJ030